

I-L38 > S2606 > PH1237 > BY14026 / Y31038 > BY25359 > Y125026 / BY25363

BY14026 / Y31038
formed 3700 ybp, TMRCA 2800 ybp

Accession	SNP	FTDNA	YFull	Age Est.	Yseq
BY14026 / Y31038	12712124	C T	✓	✓	✓
BY14027 / Y31048	12864187	G T	✓	✓	✓
BY14029 / Y31043	21418044	C T	✓	✓	✓
BY14030 / Y31039	16536912	G A	✓	✓	✓
BY14031 / Y31040	17382969	T G	✓	✓	✓
BY14032 / Y31047	19051856	G A	✓	✓	✓
BY14033 / Y31041	19571029	T C	✓	✓	✓
BY14034 / Y31042	19940340	C A	✓	✓	✓
Y168322	20933125	T A	✓	✓	✓
Y168323	20943804	T A	✓	✓	✓
BY14035	20065601	G C	✓	✓	✓
BY31308	11536500	G A	✓	✓	✓
BY31310	20126680	A C	✓	✓	✓
BY31314	20317492	G A	✓	✓	✓
BY31315	20317501	G C	✓	✓	✓
FGC44291	5138930	C T	✓	✓	✓
FT38404	3551826	A T	✓	✓	✓
FT39720	5747750	C T	✓	✓	✓
FT72822	10910826	C G	✓	✓	✓

BY14044 (only FTDNA)
formed 2800 ybp, TMRCA xxxx ybp

Accession	SNP	FTDNA	YFull	Age Est.	Yseq
BY14044	14377428	G C	15	n/a	n/a

BY161442 (only FTDNA)
formed 2800ybp, TMRCA xxxx ybp

Accession	SNP	FTDNA	YFull	Age Est.	Yseq
BY161442	8731727	A G	18	n/a	n/a

BY25359
formed 2800 ybp, TMRCA 2220ybp

Accession	SNP	FTDNA	YFull	Age Est.	Yseq
BY25359	7077626	A C	✓	✓	✓

BY25362 (only FTDNA)
formed xxxx ybp, TMRCA xxxx ybp

Accession	SNP	FTDNA	YFull	Age Est.	Yseq
BY25362	8366402	A G	10	n/a	n/a

Central & North Europe

FTDNA Kit#	Yfull Kit #	Country	Test
161257	n/a	DNK	Big Y-500
197368	YF10313	ENG	Big Y-500
218388	n/a	ENG	Big Y-500
129114	YF08696	ENG	Big Y-500
61086	n/a	ENG	Big Y-500
898980	YF63287	UNK	Big Y-700

Work in Progress

BY25363 (Y125026)
formed 2200 ybp, TMRCA 1500 ybp

Accession	SNP	FTDNA	YFull	Age Est.	Yseq
Y125026	14068330	A G	✓	✓	✓
BY25363	8553651	G A	✓	✓	✓
BY25361	8247353	G C	✓	✓	✓
BY25370	12177622	A G	✓	✓	✓
BY25399	20653847	G A	✓	✓	✓
Y125027	12932321	A G	✓	✓	✓
Z4245 / M2877	14321786	C T	✓	✓	✓
Y125025	13972366	T A	✓	✓	✓
Y126218	11343445	G T	✓	✓	✓
Y126131	10114500	G A	✓	✓	✓
FT38629	3915379	G A	✓	✓	✓
FT38816	4179387	C T	✓	✓	✓
BY25391	20116925	A G	✓	✓	✓
BY25394	20311034	C A	✓	✓	✓

Y177573 (Only Yfull)
formed 1500 ybp, TMRCA 950 ybp

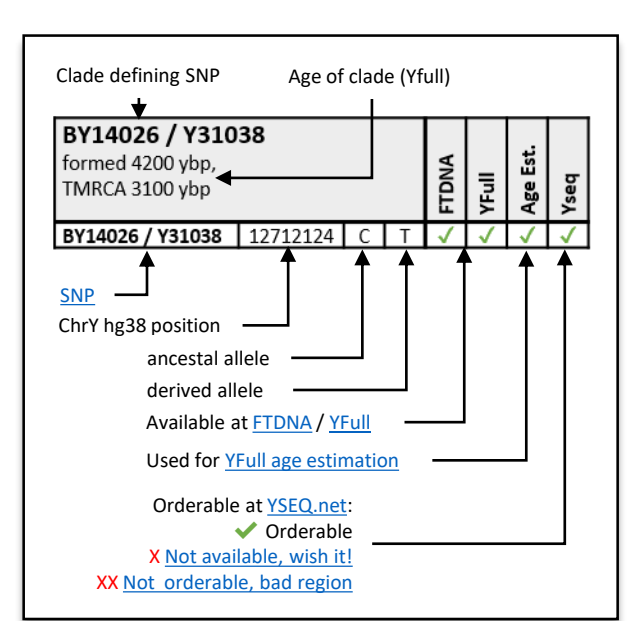
Accession	SNP	FTDNA	YFull	Age Est.	Yseq
Y177573	13423927	T C	✓	✓	✓
Y177574	7488677	G C	✓	✓	✓
Y177576	14476940	C A	✓	✓	✓
BY186856	9419543	C T	✓	✓	✓
Y177575	15571797	G A	✓	✓	✓
Y177577	23016808	G T	✓	✓	✓
Z29475	13685477	C A	✓	✓	✓

Russia

FTDNA Kit#	Yfull Kit #	Country	Test
404069	YF65013	RUS	NGS
none	HGDP00894	RUS	NGS
E2623	YF15458	POL	Big Y-500
317551	YF11362	RUS	Big Y-500
IN30195	YF19586	POL	Big Y-700
B4910	YF15162	HRV	Big Y-500
739828	YF15957	SRB	Big Y-500
N102603	YF04823	ROU	Big Y-500
	YF64334		Big Y-700

Only 3 Star Y-STR!

Y-STR	Qual.	Yseq
DYS448	21 > 23	***
DYS448	21 > 22	***



Only 3 Star Y-STR!

Y-STR	Qual.	Yseq
DYF406	11 > 12	***

BY35090 (Y128714)
formed 1500 ybp, TMRCA 600 ybp

Accession	SNP	FTDNA	YFull	Age Est.	Yseq
BY35090 / Y129739	8416125	T C	✓	✓	✓
BY35091 / Y128714	12587399	T G	✓	✓	✓
A577	7962291	G A	✓	✓	✓
Y68424	13432707	C T	✓	✓	✓
Y130046	9010719	G T	✓	✓	✓
Y130309	19810228	G A	✓	✓	✓
BY35094 / Y135230	21666059	T C	✓	✓	✓
BY35092 / Y135229	20137422	G T	✓	✓	✓
BY35093	20310268	C T	✓	✓	✓
Y173624	22239349	C A	✓	✓	✓
Y173664	3072689	G C	✓	✓	✓

Y130323
formed 600 ybp, TMRCA 150 (50) ybp

Accession	SNP	FTDNA	YFull	Age Est.	Yseq
Y130323	13277203	A C	✓	✓	✓
A22212	8332740	C A	✓	✓	✓
Y129228	15844741	A C	✓	✓	✓
A22213	8553183	T C	✓	✓	✓
A22216	13542155	C T	✓	✓	✓
Y128113	16457466	G C	✓	✓	✓
Y173565	18916607	T A	✓	✓	✓
BY182406	20157017	A G	✓	✓	✓

South-East Europe

Y-STR	Qual.	Yseq
DYS390	25 > 24	***
DYS640	12 > 11	***
DYR512	5 > 4	*****
DYS444	13 > 14	***
DYS537	11 > 12	***
DYS714	25 > 24	**
DYS458	16 > 17	**

Greece

FTDNA Kit#	Yfull Kit #	Country	Test
IN53703	n/a	GRC	Big Y-700
YF11651 (Big Y-500)			
YF64711 (Big Y-700)			
740223, Greece			
Y129101	15766207	C T	✓
Y129453	9922405	A C	✓
Y130114	20638490	T C	✓
Y129452	11522874	A G	✓
FT98798	3898313	C T	✓
FT99390	13889618	T C	✓
FT98966	5355786	A G	✓
IN22010	YF15460	GRC	Big Y-500
	YF65688		Big Y-700
689863	YF11483	GRC	Big Y-500
none	YF63639	GRC	NGS